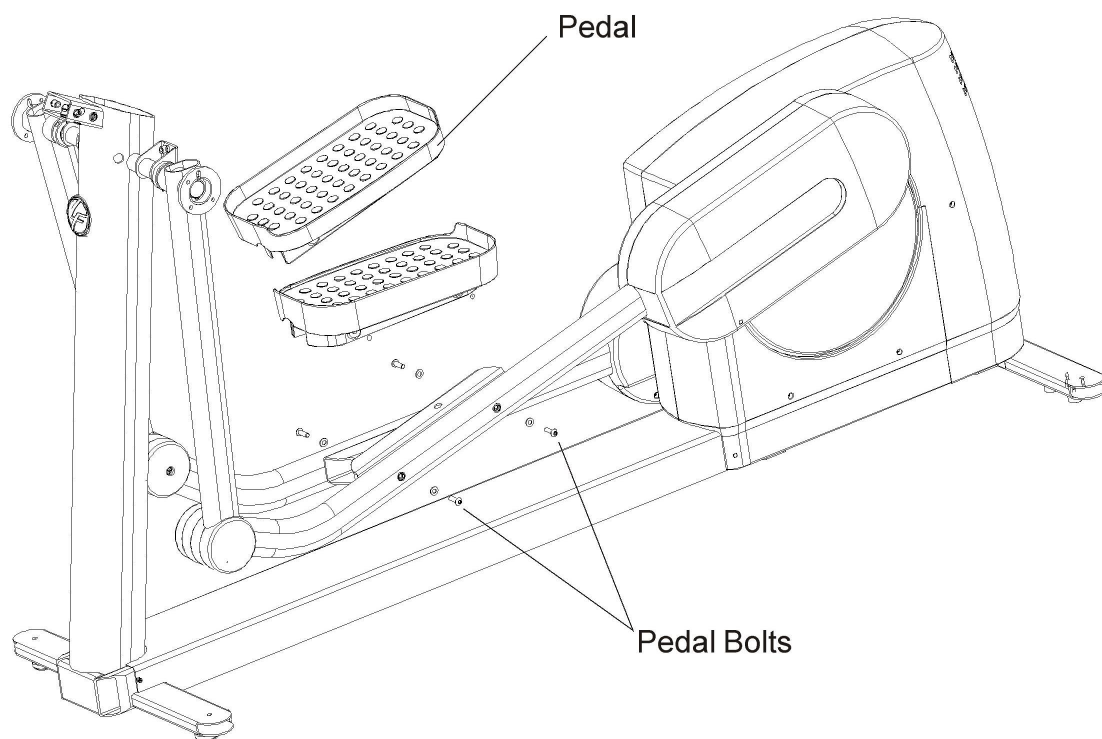


## **Life Fitness Cross-Trainers 90X, 93X, 95Xe, and 95Xi**

### **How To... Replace the Pedal**

Special Service Tools Required: NONE

---



1. Remove the four Torx bolts securing the Pedal to the Pedal Lever Assembly.
2. Re-install the new Pedal in reverse order.